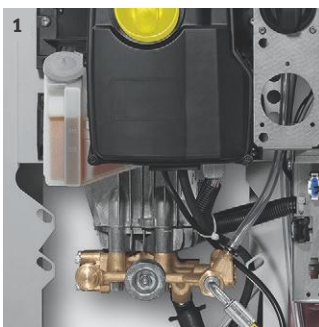




HD 7/16-4 ST

With a working pressure of 160 bar, the HD 7/16-4 ST is an entry-level machine in the area of stationary high-pressure cleaners with single-lance operation. Many features are freely configurable.



1 Always flexible thanks to fast retrofitting capability

- Most functions and accessory parts can be retrofitted at any time.
- Simple Plug 'n' Play saves assembly costs.

2 Very hot and effective cleaning thanks to a high inlet temperature

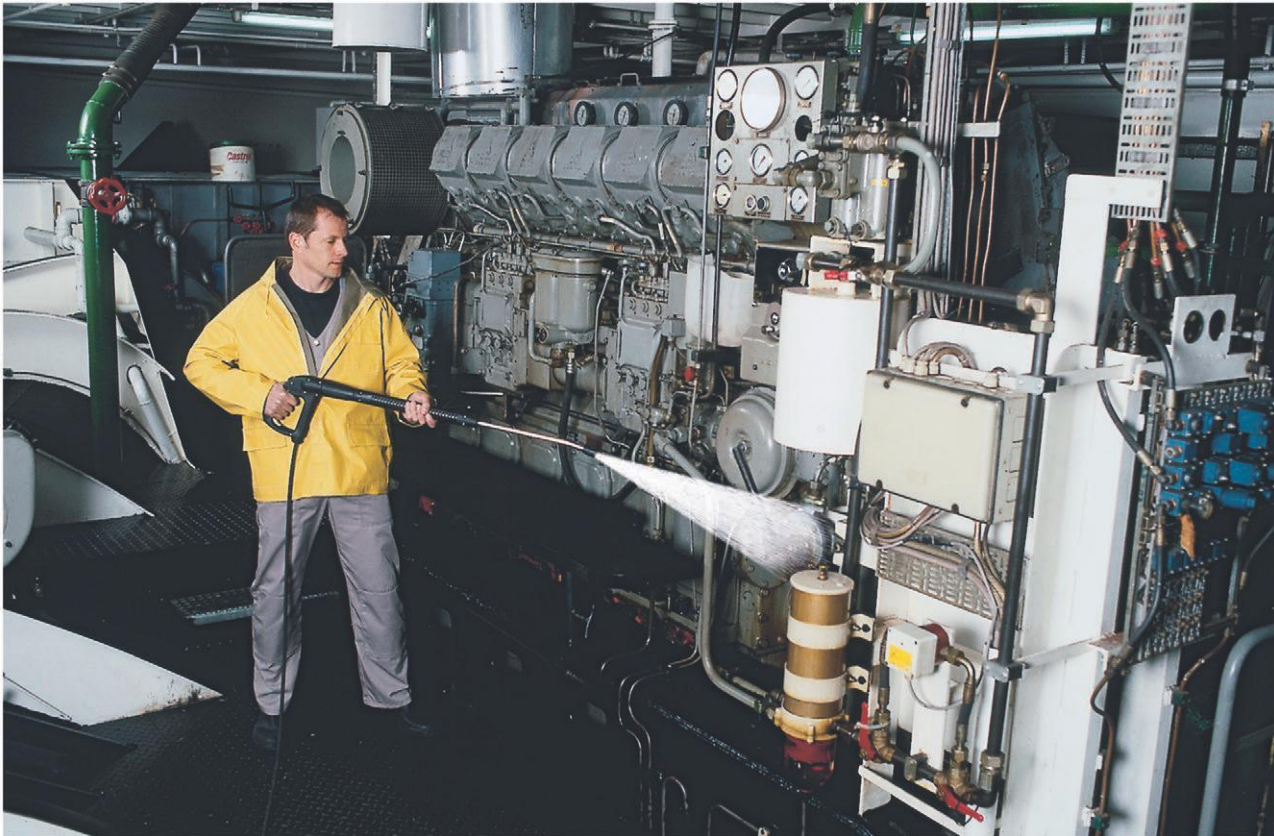
- Up to 70°C water supply temperature even in the basic model.
- With an advance pressure pump and heat-resistant seals, temperatures of up to 85°C can be achieved.

3 Individual configurability saves investment costs

- You don't pay for anything that isn't really needed.
- Simply choose a basic unit and add only the required functions.

4 Long lifetime guarantees high value retention

- Four-pole low-speed electric motor.
- Hard-wearing ceramic pistons.



HD 7/16-4 ST

Technical data

Order no.	1.524-500.2	
Current type	Ph / V / Hz	3 / 400 / 50
Protection	A	16
Flow rate	l/h	300-700
Working pressure	bar / MPa	30-160 / 3-16
Max. pressure	bar / MPa	190 / 19
Max. inlet temperature	°C	70
Connection load	kW	4.4
Weight	kg	53
Dimensions (L x W x H)	mm	533 x 420 x 790

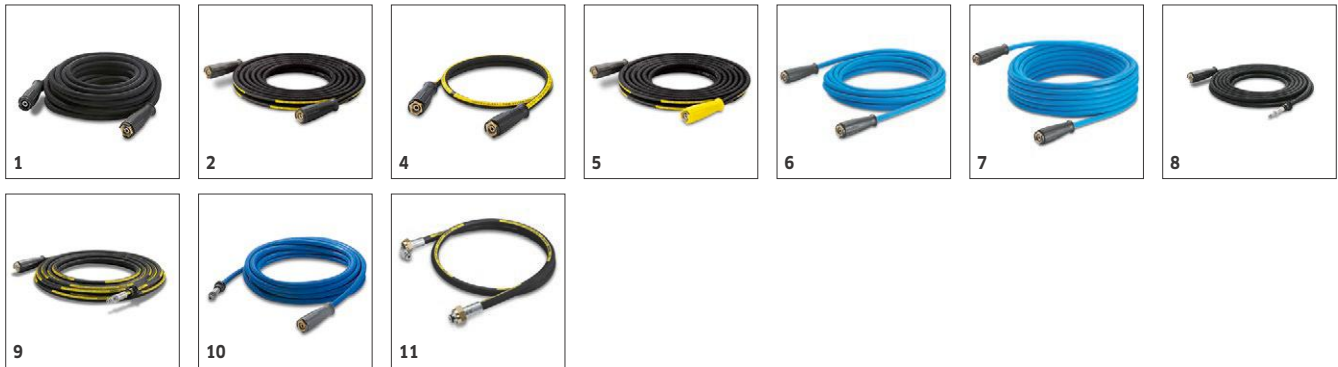
Equipment

Spray gun	Easy Press trigger gun	
Spray gun with soft grip	■	
Servo Control	-	
High-pressure hose	m	10 / ID 8, 315 bar
Triple nozzle (0°/25°/40°)	Manual	
Anti-twist system (AVS)	■	
Stainless steel lance	mm	1050
Prepared for Servo Control	■	

■ Included in delivery.

ACCESSORIES FOR HD 7/16-4 ST

1.524-500.2

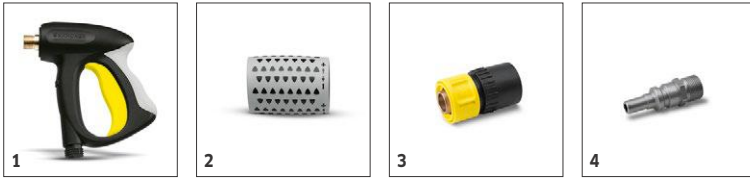


		Order no.	ID	Max. working pressure	Length	Price	Description	
Standard with unions on both sides								
High-pressure hose, 10 m, ID 8, 315 bar, extension	1	6.391-342.0	ID 8	315 bar	10 m		To extend the operating radius with the high-pressure cleaner. Connection on both sides M22 x 1.5.	
Longlife 400 with unions on both sides								
High-pressure hose Longlife 400, 10 m, ID 8, extension	2	6.391-354.0	ID 8	400 bar	10 m		To extend the operating radius with the high-pressure cleaner. Connection on both sides M22 x 1.5.	
High-pressure hose Longlife 400, ID 8, 400 bar, 1.5 m	3	6.392-282.0	ID 8	400 bar	1.5 m			<input type="checkbox"/>
High-pressure hose 1.5 m, ID 8, including connectors	4	6.390-178.0	ID 8	400 bar	1.5 m		1.5 m high-pressure hose (DN 8, M 22 x 1.5) with kink protection and connectors at both ends. For connecting to hose reels with appropriate connector (M 22 x 1.5).	<input type="checkbox"/>
High-pressure hose Longlife 400, 10 m, ID 8, including rotary coupling	5	6.388-083.0	ID 8	400 bar	10 m		10 m high-pressure hose Longlife 400 (DN 8) with rotary coupling, two layer high-strength steel wire reinforced. Connectors at both ends. M 22 x 1.5, with kink protection.	<input type="checkbox"/>
Longlife food design with screw connections at both ends								
High pressure hose food ID 8, 10 m	6	6.391-864.0	ID 8	400 bar	10 m		Longlife HP hose for use in the food industry. Außen-decke## animal-grease-resistant, non-colour-bleeding material. With rotary coupling, 2 x M 22 x 1.5	
High-pressure hose food industry 400 bar, 20 m, ID 8, including rotary coupling	7	6.391-887.0	ID 8	400 bar	20 m			
Standard								
High-pressure hose, 10 m, ID 8, AVS trigger gun connector	8	6.390-025.0	ID 8	315 bar	10 m		10 m high-pressure hose (M 22 x 1.5) with kink protection. With patented rotating AVS trigger gun connector and manual coupling. Further data: DN 8/155°C/315 bar.	<input checked="" type="checkbox"/>
Longlife 400								
High-pressure hose Longlife 400, 10 m, ID 8, AVS trigger gun connection	9	6.391-351.0	ID 8	400 bar	10 m		With patented AVS connection in the trigger gun (rotatable) and hand screw connection, M 22 x 1.5 with kink protection. With double steel reinforcement.	<input type="checkbox"/>
Longlife food design								
High-pressure hose Longlife 400, 10 m, ID 8, AVS trigger gun connection	10	6.391-885.0	ID 8	400 bar	10 m		Longlife HP hose for use in the food industry. Außen-decke## animal-grease-resistant, non-colour-bleeding material. With patented AVS connection in the pistol (pivot mounted)	<input type="checkbox"/>
Special hoses								
High-pressure hose, 1.5 m, ID 8, incl. connection parts, curved outflow	11	6.388-886.0	ID 8	400 bar	1.5 m		Connection hose in longlife quality with 2x M22 x 1.5, with angled connection on one side.	<input type="checkbox"/>

■ Included in delivery. □ Available accessories. ▲ Extension hose.

ACCESSORIES FOR HD 7/16-4 ST

1.524-500.2



		Order no.	Flow rate				Price	Description	
Easy Press high-pressure trigger gun with holding force reduction (Kärcher patent)									
Easy Press HP trigger gun with soft grip	1	4.775-463.0						Easy press high-pressure trigger gun with softgrip. For high-pressure hoses DN 6 and DN 8 with 11 mm swivel diameter.	■
Servo control									
Servo control	2	4.775-470.0	750-1100 l/h						□
Quick connect									
Quick coupling	3	6.401-458.0						For fast changes between different spray lances/accessories. Perfect for Kärcher spray unit, suitable for trigger gun/spray lance interface. With M 22 x 1.5 internal thread.	□
Male coupling	4	6.401-459.0						Hardened stainless steel male coupling for quick coupling 6.401-458. With M 22 x 1.5 external thread.	□

■ Included in delivery. □ Available accessories. ▲ Extension hose.

ACCESSORIES FOR HD 7/16-4 ST

1.524-500.2



		Order no.	Max. working pressure	Nozzle size			Price	Description	
Triple nozzles									
Triple nozzle 043	1	4.767-152.0	300 bar	43				Triple nozzle with manual nozzle changeover. Convenient spray adjustment. For machines with an injector, the low-pressure flat stream is useful for cleaning agent suction and application. Connection M 18 x 1.5.	■
Triple nozzle 100	2	4.767-205.0	300 bar	100				Triple nozzle with manual nozzle changeover. Convenient spray adjustment. For high-pressure cleaners with injector; low-pressure fan jet for detergent removal and application. Connector M 18x1.5.	□

■ Included in delivery. □ Available accessories. ▲ Extension hose.

ACCESSORIES FOR HD 7/16-4 ST

1.524-500.2



		Order no.	Max. working pressure	Length			Price	Description	
Rotating spray lances									
1050 mm spray pipe, rotatable	1	4.760-660.0	300 bar	1050 mm				1050 mm stainless steel lance (manual coupling) with ergonomic handle for ease of use and protection. Rotatable 360° under pressure.	■
600 mm spray pipe, rotatable	2	4.760-664.0	300 bar	600 mm				600 mm stainless steel lance (manual coupling) with ergonomic handle for ease of use and protection. Rotatable 360° under pressure.	□

■ Included in delivery. □ Available accessories. ▲ Extension hose.

ACCESSORIES FOR HD 7/16-4 ST 1.524-500.2

KÄRCHER